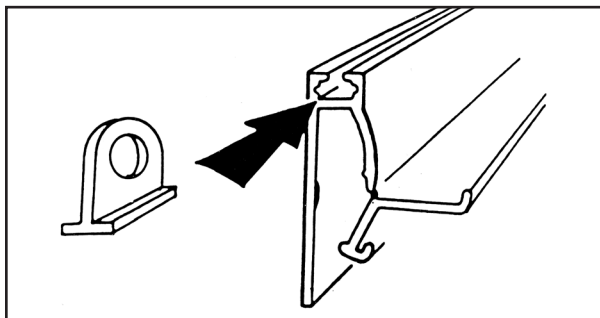


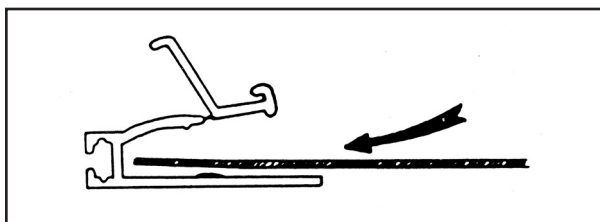
# SNAP'RAIL™ installation instructions



**step 1: insert banner clips**

## STEP 1:

- Insert clear banner clips into either end of the banner holder to be used on the top of the sign.



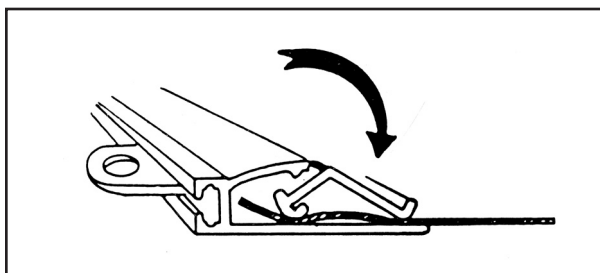
**step 2: insert sign stock**

## STEP 2:

- Place banner on a flat surface. Fully open hinged door and insert sign fully into opening.

**HINT: SNAP'RAIL IS DESIGNED TO CLOSE EASILY ONLY WHEN SIGN STOCK IS INSERTED AS SHOWN.**

Use on stock up to .090" thick.



**step 3: close hinged door**

## STEP 3:

- Close hinged door fully to lock sign into holder. Start in the center and work to the outside.

PATENTED

**COMPLETED UNIT  
SHOULD RESEMBLE THIS:**

