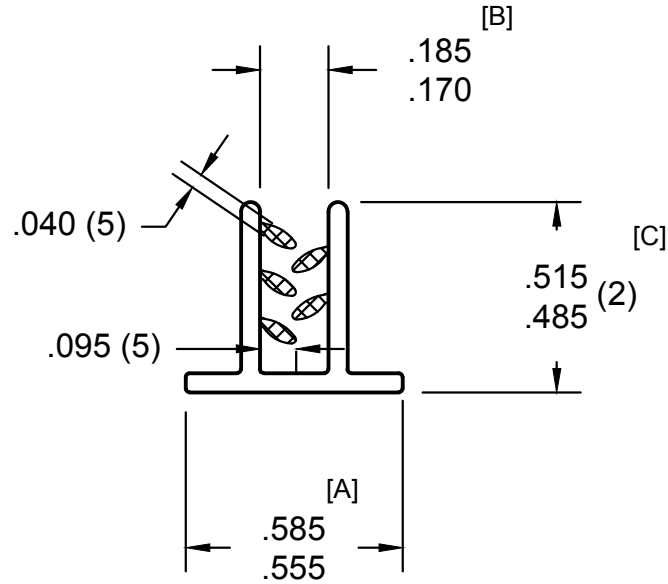


1:1 SCALE



[D]

WALL = .047

REV.	DESCRIPTION	MODIFIED BY	DATE	popco inc.		FNF		SCALE	PART NO.	SIZE
A	UPDATED CONTROL SPECS	SBP	01/28/13	MINNETONKA, MN				2:1		A
				DRAWN	APPROVED	DATE	DRAWING NO.			REV
				SBP		01/28/13	EP2302			A