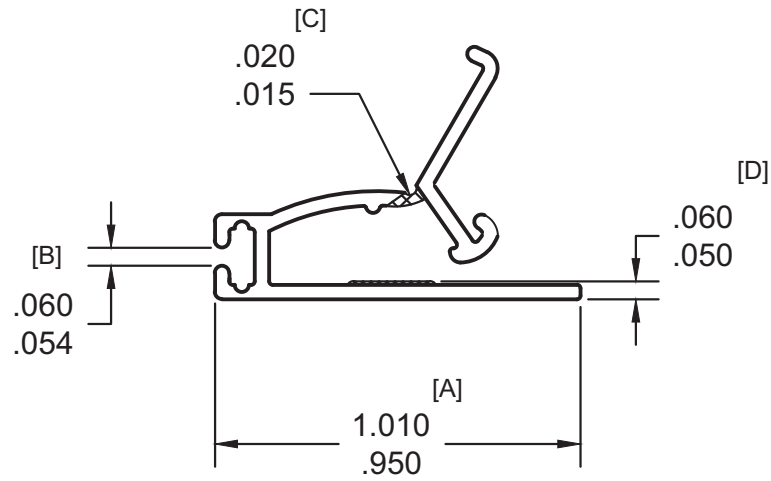




1:1 SCALE



MEASURE FLEX HINGE AT THINNEST POINT

[E]
WALL = .040

REV.	DESCRIPTION	MODIFIED BY	DATE	 MINNETONKA, MN		SNAPPING BANNERAIL II		SIZE				
A	ADDED CONTROL SPEC [E]	SBP	09/23/10			SCALE	2:1	PART NO.	A			
B	REVISED DRAWING TO SHOW EXTRUDED VIEW	SBP	01/20/14	DRAWN	SBP	APPROVED	DATE	09/23/10	DRAWING NO.	EP2198	REV	B