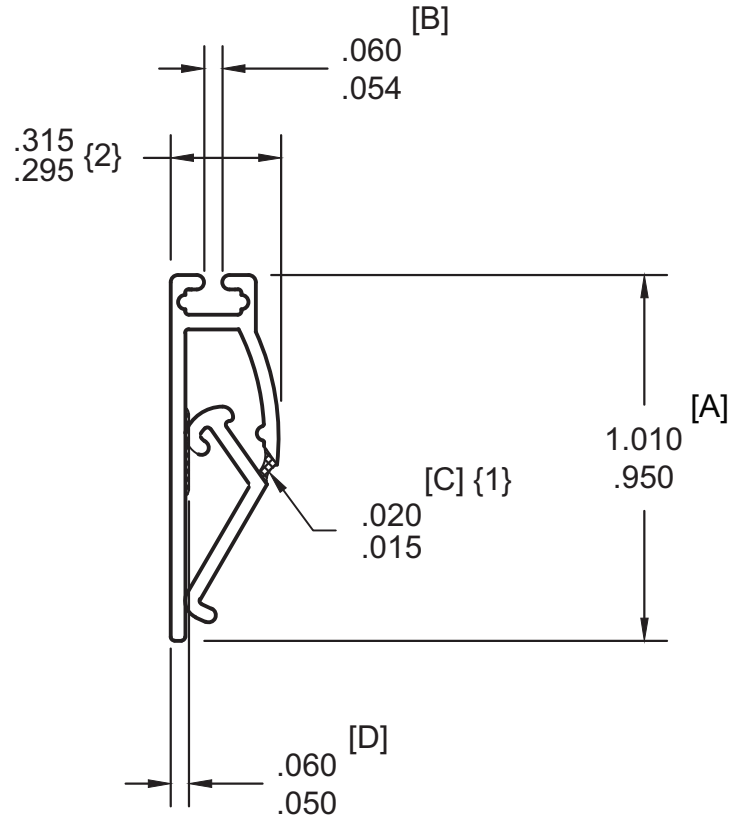




1:1 SCALE



{2} MEASURE WITH THE HINGE CLOSED

{1} DIM. APPLIES TO HINGE AT THINNEST POINT

[E]
WALL = .040

REV.	DESCRIPTION	MODIFIED BY	DATE	popco inc.		SNAPPING BANNERAIL II		SCALE	PART NO.	SIZE
A	THIS EP# IS FOR NAT PVC.	SBP	09/23/10	MINNETONKA, MN		2:1				A
				DRAWN	APPROVED	DATE	DRAWING NO.			REV
				SBP		09/23/10	EP2613			A