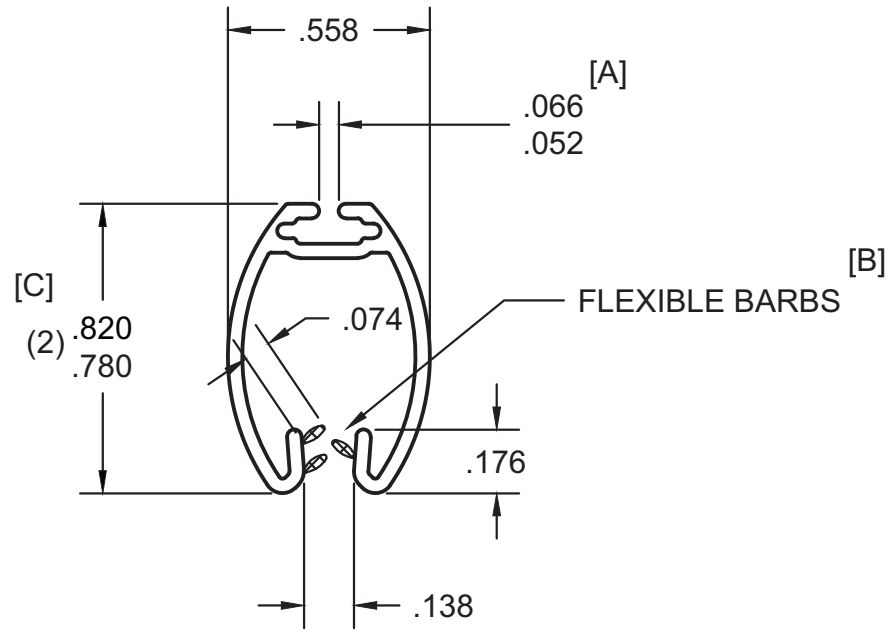




1:1 SCALE



[D]

WALL = .040

REV.	DESCRIPTION	MODIFIED BY	DATE	popco inc.		F-SERIES SUPERRAIL #2		SCALE	PART NO.	SIZE
A	ADDED CONTROL SPECS	SBP	06/08/20	MINNETONKA, MN		2:1				A
				DRAWN	APPROVED	DATE	DRAWING NO.			REV
				SBP		08/23/12	EP2703			A