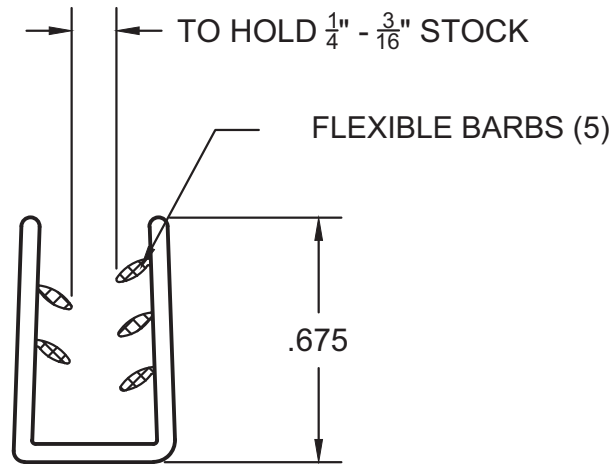





1:1 SCALE



WALL = .050

REV.	DESCRIPTION	MODIFIED BY	DATE	 MINNETONKA, MN		1/4" - 3/16" U-CHANNEL		SIZE
						SCALE	PART NO.	A
				DRAWN	APPROVED	DATE	DRAWING NO.	REV
				SBP		10/16/20	EP3027	